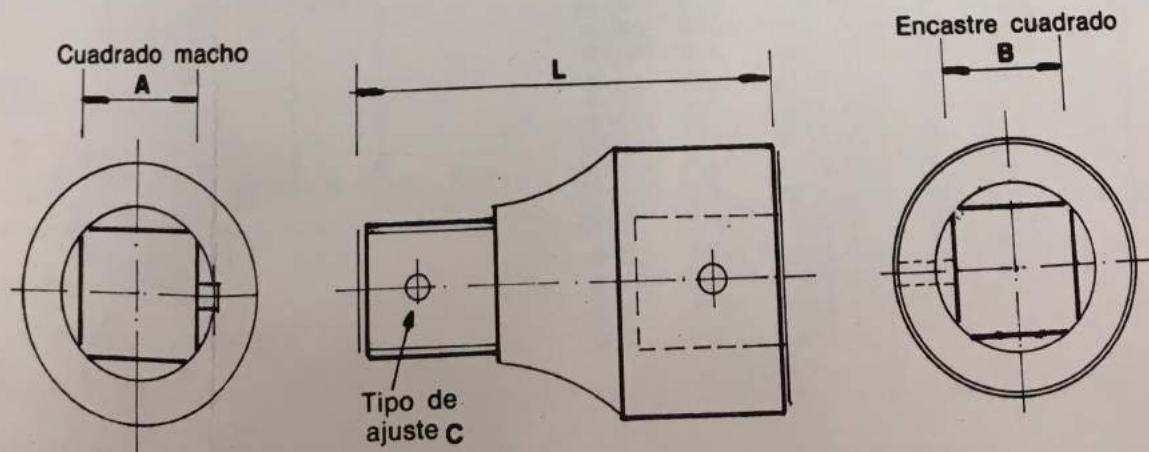


### ADAPTADORES Y PROLONGACIONES CORTAS

Cuadrado macho: 1/4" a 3/4"  
Cuadrado hembra: 1/4" a 5/8"

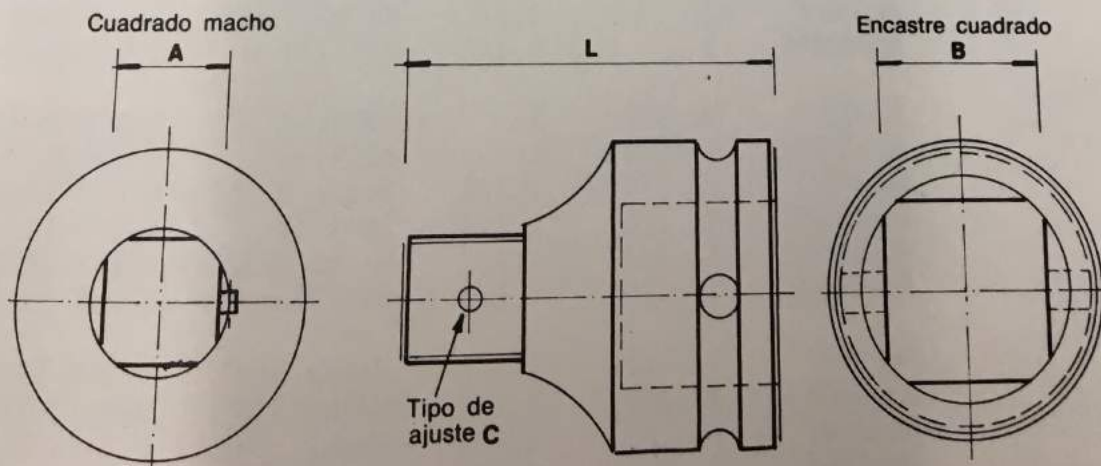
ARTICULO	CUADRADO MACHO	ENCASTRE CUADRADO	TIPO DE AJUSTE	LARGO TOTAL
	<b>A</b>	<b>B</b>	<b>C</b>	<b>L</b>
AL-152	1/4	1/4	Perno	1
AL-152-B	1/4	1/4	Bolilla	1
AL-154	1/4	3/8	Perno	1.1/4
AL-154-B	1/4	3/8	Bolilla	1.1/4
AL-160	1/4	1/2	Perno	1.1/2
AL-160-B	1/4	1/2	Bolilla	1.1/2
AL-272	3/8	1/4	Perno	1
AL-272-B	3/8	1/4	Bolilla	1
AL-274	3/8	3/8	Perno	1.1/4
AL-274-B	3/8	3/8	Bolilla	1.1/4
AL-275	3/8	1/2	Perno	1.1/2
AL-275-B	3/8	1/2	Bolilla	1.1/2
AL-403	1/2	3/8	Perno	1.1/2
AL-403-B	1/2	3/8	Bolilla	1.1/2
AL-404	1/2	1/2	Perno	1.5/8
AL-404-B	1/2	1/2	Bolilla	1.5/8
AL-405	1/2	5/8	Perno	1.7/8
AL-405-B	1/2	5/8	Bolilla	1.7/8
AL-522	5/8	3/8	Perno	1.1/2
AL-522-B	5/8	3/8	Bolilla	1.1/2
AL-523	5/8	1/2	Perno	1.3/4
AL-523-B	5/8	1/2	Bolilla	1.3/4
AL-524	5/8	5/8	Perno	1.7/8
AL-524-B	5/8	5/8	Bolilla	1.7/8
AL-650	3/4	3/8	Mecha 7/32"	1.1/2
AL-650-B	3/4	3/8	Bolilla	1.1/2
AL-651	3/4	1/2	Mecha 7/32"	1.3/4
AL-651-B	3/4	1/2	Bolilla	1.3/4
AL-652	3/4	5/8	Mecha 7/32"	1.7/8
AL-652-B	3/4	5/8	Bolilla	1.7/8



## ADAPTADORES Y PROLONGACIONES CORTAS

 Cuadrado macho: 1/2" a 2.1/2"  
 Cuadrado hembra: 3/4" a 2.1/2"

ARTICULO	CUADRADO MACHO	ENCASTRE CUADRADO	TIPO DE AJUSTE	LARGO TOTAL
	<b>A</b>	<b>B</b>	<b>C</b>	<b>L</b>
AL-406	1/2	3/4	Perno	2. 1/8
AL-406-B	1/2	3/4	Bolilla	2. 1/8
AL-525	5/8	3/4	Perno	2. 1/8
AL-525-B	5/8	3/4	Bolilla	2. 1/8
AL-653	3/4	3/4	Mecha 7/32"	2. 1/4
AL-653-B	3/4	3/4	Bolilla	2. 1/4
AL-654	3/4	1	Mecha 7/32"	3
AL-654-B	3/4	1	Bolilla	3
AL-0006	1	5/8	Mecha 9/32"	2
AL-0006-B	1	5/8	Bolilla	2
AL-0000	1	3/4	Mecha 9/32"	2. 9/16
AL-0000-B	1	3/4	Bolilla	2. 9/16
AL-0001	1	1	Mecha 9/32"	3. 1/8
AL-0001-B	1	1	Bolilla	3. 1/8
AL-0008	1	1. 1/4	Mecha 9/32"	3. 1/4
AL-0008-B	1	1. 1/4	Bolilla	3. 1/4
AL-0005	1	1. 1/2	Mecha 9/32"	3.15/16
AL-0005-B	1	1. 1/2	Bolilla	3.15/16
AL-0050	1. 1/4	3/4	Mecha 9/32"	3.
AL-0051	1. 1/4	1	Mecha 9/32"	3. 1/4
AL-0052	1. 1/4	1. 1/4	Mecha 9/32"	3. 1/2
AL-0053	1. 1/4	1. 1/2	Mecha 9/32"	4. 1/4
AL-0901	1. 1/2	1	Mecha 3/8"	3. 9/16
AL-0907	1. 1/2	1. 1/4	Mecha 3/8"	4. 1/4
AL-0902	1. 1/2	1. 1/2	Mecha 3/8"	4. 7/16
AL-0905	1. 1/2	2. 1/2	Mecha 3/8"	5. 3/8
AL-1504	2. 1/2	1	Mecha 3/8"	5.
AL-1503	2. 1/2	1. 1/2	Mecha 3/8"	5. 1/2
AL-1500	2. 1/2	2. 1/2	Mecha 3/8"	6





### ADAPTADORES Y PROLONGACIONES Largas

Cuadrado macho : 1/4" a 2.1/2"

Cuadrado hembra: 1/4" a 2.1/2"

ARTICULO	CUADRADO MACHO <b>A</b>	CUADRADO HEMBRA <b>B</b>	TIPO DE AJUSTE <b>C</b>	LARGO STANDARD <b>L</b>
AL-155	1/4	1/4	Perno	2-3-4-6
AL-155B	1/4	1/4	Bolilla	2-3-4-6
AL-157	1/4	3/8	Perno	2-3-4-6
AL-157B	1/4	3/8	Bolilla	2-3-4-6
AL-158	1/4	1/2	Perno	2-3-4-6
AL-158B	1/4	1/2	Bolilla	2-3-4-6
AL-276	3/8	3/8	Perno	2-3-4-5-6-8-9-10-12-15
AL-276B	3/8	3/8	Bolilla	2-3-4-5-6-8-9-10-12-15
AL-277	3/8	1/2	Perno	2-3-4-5-6-8-9-10-12-15
AL-277B	3/8	1/2	Bolilla	2-3-4-5-6-8-9-10-12-15
AL-407	1/2	3/8	Perno	2-3-4-6
AL-407B	1/2	3/8	Bolilla	2-3-4-6
AL-408	1/2	1/2	Perno	2-3-4-5-6-8-9-10-12-15
AL-408B	1/2	1/2	Bolilla	2-3-4-5-6-8-9-10-12-15
AL-409	1/2	5/8	Perno	3-4-5-6-8-10-12-15
AL-409B	1/2	5/8	Bolilla	3-4-5-6-8-10-12-15
AL-410	1/2	3/4	Perno	3-4-6-8-10-12-15
AL-410B	1/2	3/4	Bolilla	3-4-6-8-10-12-15
AL-526	5/8	1/2	Perno	3-4-6-8-10-12
AL-526B	5/8	1/2	Bolilla	3-4-6-8-10-12
AL-527	5/8	5/8	Perno	3-4-6-8-10-12-15
AL-527B	5/8	5/8	Bolilla	3-4-6-8-10-12-15
AL-528	5/8	3/4	Perno	3-4-6-8-10-12-15
AL-528B	5/8	3/4	Bolilla	3-4-6-8-10-12-15
AL-655	3/4	3/4	Mecha 7/32"	3-4-6-8-9-10-12-15
AL-655B	3/4	3/4	Bolilla	3-4-6-8-9-10-12-15
AL-656	3/4	1	Mecha 7/32"	4-6-8-9-10-12-15
AL-656B	3/4	1	Bolilla	4-6-8-9-10-12-15
AL-0002	1	3/4	Mecha 9/32"	3-4-6-8-9-10-12-15
AL-0002B	1	3/4	Bolilla	3-4-6-8-9-10-12-15
AL-0003	1	1	Mecha 9/32"	4-6-8-9-10-12-15
AL-0003B	1	1	Bolilla	4-6-8-9-10-12-15
AL-0009	1	1.1/4	Mecha 9/32"	4-6-8-9-10-12-15
AL-0009B	1	1.1/4	Bolilla	4-6-8-9-10-12-15
AL-0004	1	1.1/2	Mecha 9/32"	5-6-8-9-10-12-15
AL-0004B	1	1.1/2	Bolilla	5-6-8-9-10-12-15
AL-0057	1. 1/4	1	Mecha 9/32"	5-6-8-9-10-12-15
AL-0057B	1. 1/4	1	Bolilla	5-6-8-9-10-12-15
AL-0058	1. 1/4	1.1/4	Mecha 9/32"	6-8-9-10-12-15
AL-0058B	1. 1/4	1.1/4	Bolilla	6-8-9-10-12-15
AL-0059	1. 1/4	1.1/2	Mecha 9/32"	6-8-9-10-12-15
AL-0059B	1. 1/4	1.1/2	Bolilla	6-8-9-10-12-15
AL-0904	1. 1/2	1.1/2	Mecha 3/8"	6-8-9-10-12-15
AL-0906	1. 1/2	2.1/2	Mecha 3/8"	8-9-10-12-15
AL-1501	2. 1/2	1.1/2	Mecha 3/8"	6-8-9-10-12-15
AL-1502	2. 1/2	2.1/2	Mecha 3/8"	8-9-10-12-15

Encastre cuadrado  
**B**

Indicar el largo al pedir la herramienta

**L**

**C**  
Tipo de ajuste

Cuadrado macho  
**A**